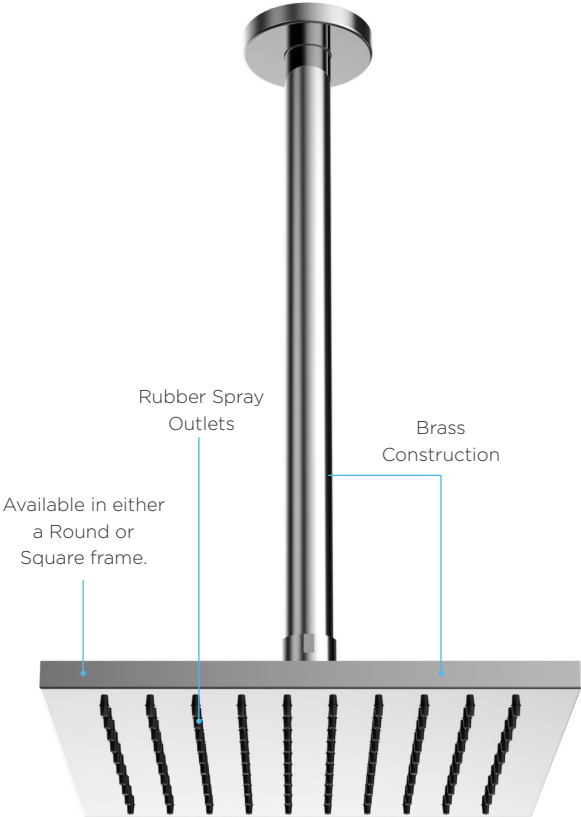
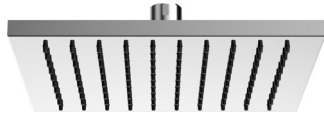


RAIN PRODUCT TRAINING

Precision engineered to deliver water in strong, steady streams.



Neo™ 8-in. Round Rain Shower S-2762



Kubos™ 8-in. Square Rain Shower S-2763



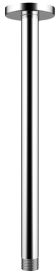
16-in. Wall-Mounted Rain Shower Arm S-2570



12-in. Wall-Mounted Rain Shower Arm S-2571



6-in. Ceiling-Mounted Rain Shower Arm S-2580



12-in. Ceiling-Mounted Rain Shower Arm S-2581

Available Finish



PC BN

SPECIFICATIONS

Rain Product

S-2762 | Neo™ 8-in. Round Rain Shower

FEATURES:

- 8 In. Round Rain Shower Head.
- Brass construction.
- 105 rubber spray outlets.
- 1/2 in. NPT inlet.
- 2.5 gpm (9.5 L/min) flow rate.



FINISH:

- Polished Chrome (standard)
- Brushed Nickel (-BN)

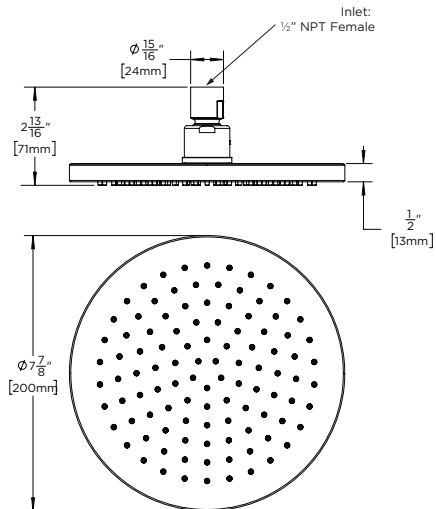
COMPLIANCE:

- ASME A112.18.1/CSA B125.1 compliant

WARRANTY:

- Limited Lifetime Warranty (consumer use)
- 1 Year Limited (commercial use)

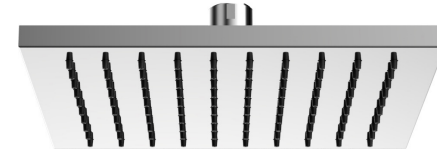
NOTE: 1. All dimensions are in inches (millimeters) unless otherwise specified and are subject to change without notice.



S-2763 | Kubos™ 8-in. Square Shower

FEATURES:

- 8 In. Square Rain Shower Head.
- Brass construction.
- 100 rubber spray outlets.
- 1/2 in. NPT inlet.
- 2.5 gpm (9.5 L/min) flow rate.



FINISH:

- Polished Chrome (standard)
- Brushed Nickel (-BN)

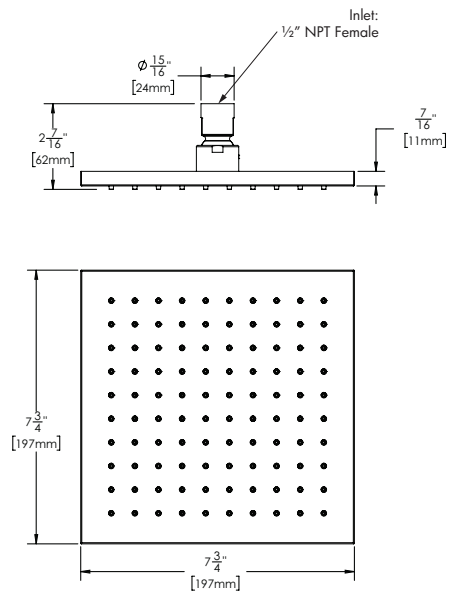
COMPLIANCE:

- ASME A112.18.1/CSA B125.1 compliant

WARRANTY:

- Limited Lifetime Warranty (consumer use)
- 1 Year Limited (commercial use)

NOTE: 1. All dimensions are in inches (millimeters) unless otherwise specified and are subject to change without notice.



SPECIFICATIONS

Rain Product

S-2570 | 16-in. Wall-Mounted Rain Shower Arm

FEATURES:

- Polished chrome plated brass 16 in. shower arm.
- Polished chrome plated brass wall flange.
- 1/2 in. NPTM connections.

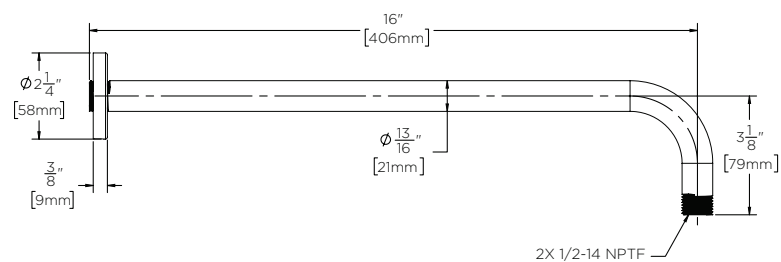
FINISH:

- Polished Chrome (standard)
- Brushed Nickel (-BN)

WARRANTY:

- 1 year limited

NOTE: 1. All dimensions are in inches (millimeters) unless otherwise specified and are subject to change without notice.



S-2571 | 12-in. Wall-Mounted Rain Shower Arm

FEATURES:

- Polished chrome plated brass 12 in. shower arm.
- Polished chrome plated brass wall flange.
- 1/2 in. NPTM connections

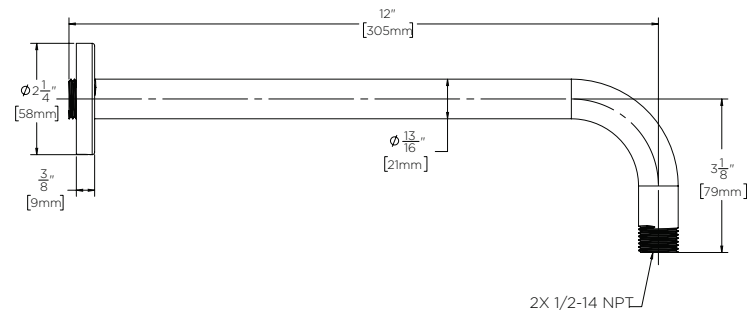
FINISH:

- Polished Chrome (standard)
- Brushed Nickel (-BN)

WARRANTY:

- 1 year limited

NOTE: 1. All dimensions are in inches (millimeters) unless otherwise specified and are subject to change without notice.



SPECIFICATIONS

Rain Product

S-2580 | 6-in. Ceiling-Mounted Rain Shower Arm



FEATURES:

- Polished chrome plated brass 6 in. shower arm.
- Polished chrome plated brass ceiling flange.
- 1/2 in. NPTM connections.

FINISH:

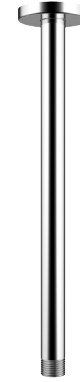
- Polished Chrome (standard)
- Brushed Nickel (-BN)

WARRANTY:

- 1 year limited

NOTE: 1. All dimensions are in inches (millimeters) unless otherwise specified and are subject to change without notice.

S-2581 | 12-in. Ceiling-Mounted Rain Shower Arm



FEATURES:

- Polished chrome plated brass 12 in. shower arm.
- Polished chrome plated brass ceiling flange.
- 1/2 in. NPTM connections.

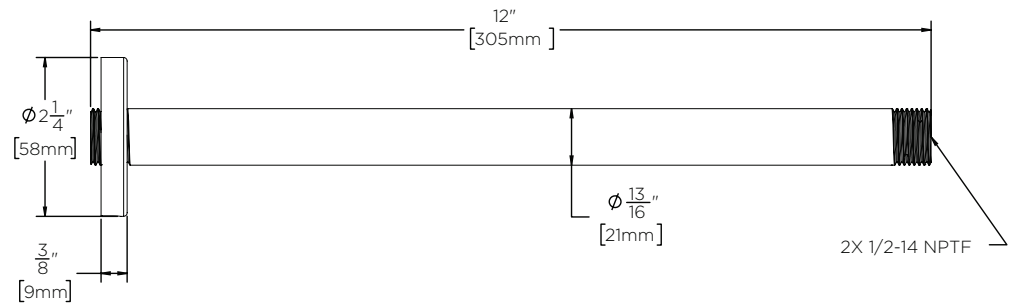
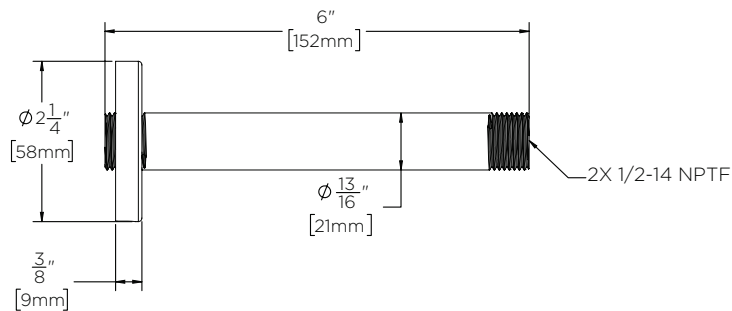
FINISH:

- Polished Chrome (standard)
- Brushed Nickel (-BN)

WARRANTY:

- 1 year limited

NOTE: 1. All dimensions are in inches (millimeters) unless otherwise specified and are subject to change without notice.



COMPETITIVE ANALYSIS

Competition

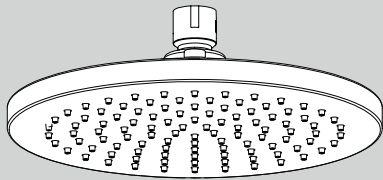
Brand	Model #	Image	Outlets	Head Diameter
Grohe	28373000		120	8 1/4 inches
Hansgrohe	27476001		107	7 inches
Kohler	K-13688-CP		78	8 inches
Speakman	S-2762		105	7 7/8 inches

INSTALLATION

How to install a Rain Shower

INSTRUCTIONS FOR MODELS


S-2762 (-E2)



NEED HELP?

For additional assistance or service please contact:

SPEAKMAN® Company
400 Anchor Mill Road
New Castle, DE 19720

 800-537-2107

 customerservice@speakman.com

 www.speakman.com

92-S-2762-01

TOOLS AND SUPPLIES

Thread Seal
Tape
(INCLUDED)



Adjustable
Wrench



IMPORTANT



Be sure to read instructions thoroughly before beginning installation. Do not overtighten any connections or damage may occur.

SAFETY TIPS



Cover your drain to prevent loss of parts.

MAINTENANCE



Periodic cleaning using a mild soap and warm water will help keep your Showerhead's appearance in its original condition.

For best results, dry immediately with a soft, clean cloth. **DO NOT USE** harsh and/or abrasive cleaners.

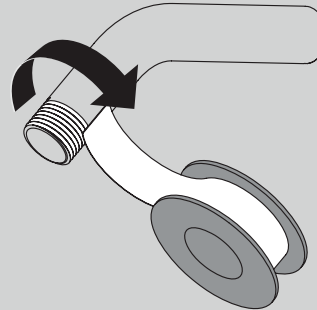
In certain water conditions, mineral deposits may form. To remove these deposits, it is recommended that you soak the shower head in a solution of 2 parts vinegar to 1 part water for one hour. Rinse thoroughly with fresh water. Brush off any remaining mineral deposits from the spray channels.

WARRANTY

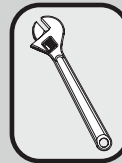
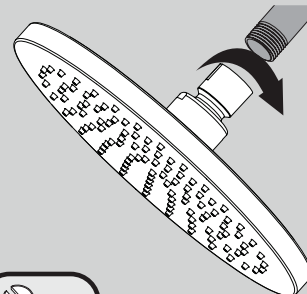


Additional warranty information can be found at:
www.speakman.com

- 1 Apply Thread Seal Tape to the outlet side of shower arm in a clockwise direction.



- 2 Thread Showerhead onto shower arm by turning it in a clockwise direction. Tighten with adjustable wrench. Turn water supply on and check for leaks.

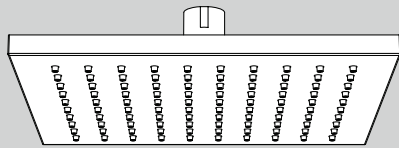


INSTALLATION

How to install a Rain Shower

INSTRUCTIONS FOR MODELS


S-2763 (-E2)




NEED HELP?

For additional assistance or service please contact:

SPEAKMAN® Company
400 Anchor Mill Road
New Castle, DE 19720

 800-537-2107

 customerservice@speakman.com

 www.speakman.com

92-S-2763-01

TOOLS AND SUPPLIES

Thread Seal
Tape
(INCLUDED)



Adjustable
Wrench



IMPORTANT



Be sure to read instructions thoroughly before beginning installation. Do not overtighten any connections or damage may occur.

SAFETY TIPS



Cover your drain to prevent loss of parts.

MAINTENANCE



Periodic cleaning using a mild soap and warm water will help keep your Showerhead's appearance in its original condition.

For best results, dry immediately with a soft, clean cloth. DO NOT USE harsh and/or abrasive cleaners.

In certain water conditions, mineral deposits may form. To remove these deposits, it is recommended that you soak the shower head in a solution of 2 parts vinegar to 1 part water for one hour. Rinse thoroughly with fresh water. Brush off any remaining mineral deposits from the spray channels.

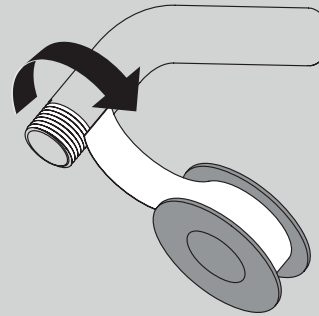
WARRANTY



Additional warranty information can be found at:
www.speakman.com

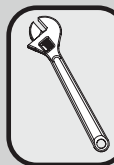
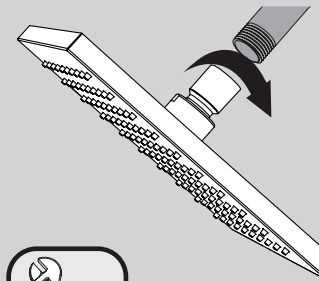
1

Apply Thread Seal Tape to the outlet side of shower arm in a clockwise direction.



2

Thread Showerhead onto shower arm by turning it in a clockwise direction. Tighten with adjustable wrench. Turn water supply on and check for leaks.

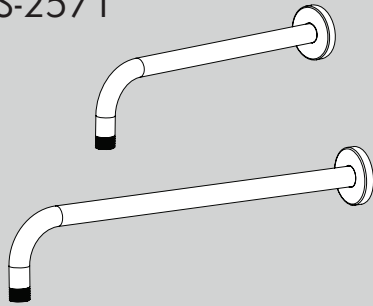


INSTALLATION

How to install a Rain Shower Wall-Mounted Arm

INSTRUCTIONS FOR MODELS

S-2570
S-2571



NEED HELP?

For additional assistance or service please contact:

SPEAKMAN® Company
400 Anchor Mill Road
New Castle, DE 19720

800-537-2107

customerservice@speakman.com

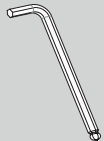
www.speakman.com

TOOLS AND SUPPLIES

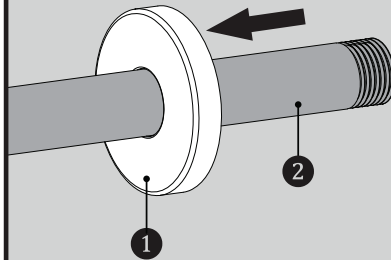
Thread Seal
Tape



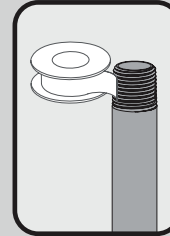
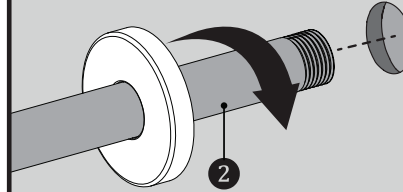
Hex Key Wrench
(INCLUDED)



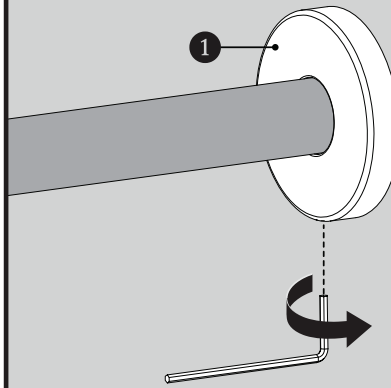
1 Slide the Escutcheon Plate **1** over the long arm of the Shower Arm **2** as shown below.



2 Apply Thread Seal Tape to inlet side of Shower Arm **2**. Thread Shower Arm into Female Pipe Fitting within the wall. Firmly tighten, and make sure Shower Arm Outlet is pointing in a downward position.



3 Position Escutcheon Plate **1** flat against wall. Secure Set Screw with Included Hex Key Wrench.



IMPORTANT

Be sure to read instructions thoroughly before beginning installation. Do not overtighten any connections or damage may occur.

SAFETY TIPS

Cover your drain to prevent loss of parts.

MAINTENANCE

Your new Shower Arm is designed for years of trouble-free performance. Keep it looking new by cleaning it periodically with a soft cloth. Avoid abrasive cleaners, steel wool and harsh chemicals as these will dull the finish and void your warranty.

WARRANTY

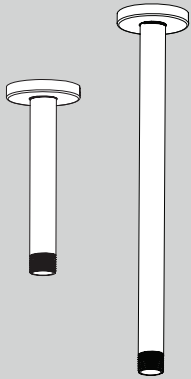
Additional warranty information can be found at: www.speakman.com

INSTALLATION

How to install a Rain Shower Ceiling-Mounted Arm

INSTRUCTIONS FOR MODELS

S-2580
S-2581



NEED HELP?

For additional assistance or service please contact:

SPEAKMAN® Company
400 Anchor Mill Road
New Castle, DE 19720

800-537-2107

customerservice@speakman.com

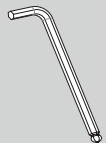
www.speakman.com

TOOLS AND SUPPLIES

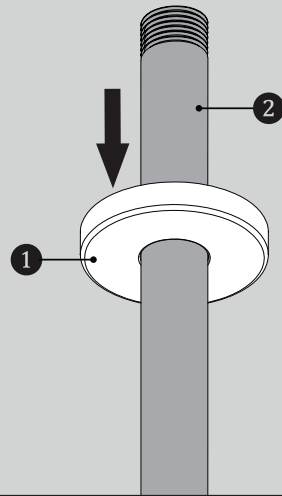
Thread Seal
Tape



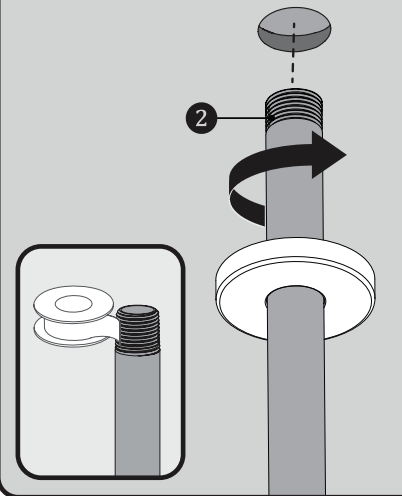
Hex Key Wrench
(INCLUDED)



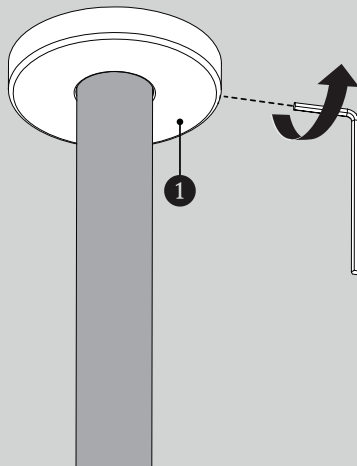
1 Slide the Escutcheon Plate **1** over the Shower Arm **2** as shown below.



2 Apply Thread Seal Tape to inlet side of Shower Arm **2**. Thread Shower Arm into Female Pipe Fitting within the ceiling. Firmly tighten.



3 Position Escutcheon Plate **1** flat against the ceiling. Secure Set Screw with Included Hex Key Wrench.



IMPORTANT

Be sure to read instructions thoroughly before beginning installation. Do not overtighten any connections or damage may occur.

SAFETY TIPS

Cover your drain to prevent loss of parts.

MAINTENANCE

Your new Shower Arm is designed for years of trouble-free performance. Keep it looking new by cleaning it periodically with a soft cloth. Avoid abrasive cleaners, steel wool and harsh chemicals as these will dull the finish and void your warranty.

WARRANTY

Additional warranty information can be found at: www.speakman.com

KEYS FOR BEST PRODUCT PERFORMANCE

OVER ITS LIFETIME

Shower head: Periodic cleaning using a mild soap and warm water will help keep your showerhead's appearance in its original condition. For best results, dry immediately with a soft, clean cloth. DO NOT USE harsh and/or abrasive cleaners.

To help restore the finish, occasionally apply a non-abrasive wax to your showerhead body (follow manufacturers' instructions).

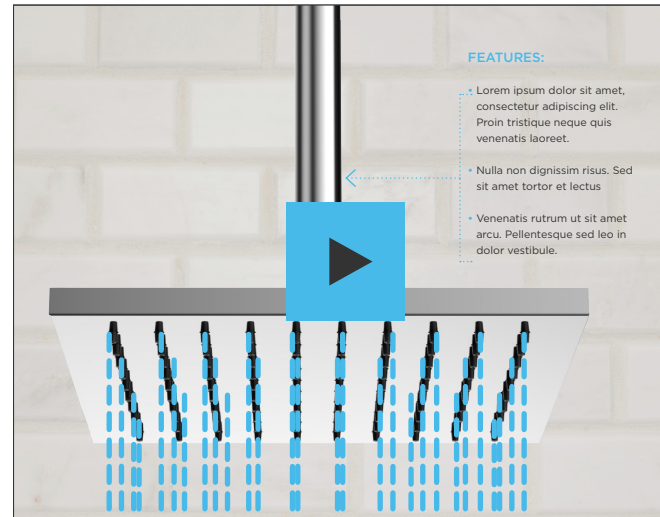
On CHROME PLATED SHOWERHEADS, a two (2) part white vinegar, one (1) part water solution can be used to break down excessive mineral deposits on the sprays. Let the showerhead soak in the solution for about ½ hour then rinse thoroughly. Brush off any remaining mineral deposits if necessary.

DO NOT USE the vinegar/water treatment on all special finishes (-BN, -ORB, -PN, -PB).

Shower arm & flange: Your new Shower Arm is designed for years of trouble-free performance. Keep it looking new by cleaning it periodically with a soft cloth. Avoid abrasive cleaners, steel wool and harsh chemicals as these will dull the finish and void your warranty.

VIDEO - SPRAY

COMING SOON



GENERAL HELP

QUESTIONS AND ANSWERS

Q. Is this collection available in any specialty (special order) finishes?

A. Yes, specialty finishes available for this collection: Polished Nickel, Polished Brass, Brushed Bronze, Oil Rubbed Bronze, & Matte Black. ALL finishes outside of Chrome & Brushed Nickel would need to be quoted. Please contact your Speakman Inside Sales Team for a quotation.

Q. What material is the shower made from?

A. Both the shower and arms are made from brass

Q. What is the benefit to the new shower arms?

A. The addition of 12 and 16 inch lengths to our wall mounted arms and a ceiling mount will allow the shower head to be far enough off the wall (or ceiling) to allow the water to fall from above onto the person showering.

Q. Are other flow rates available for the showerheads?

A. Currently only the 2.5 gpm is being release. There are plans however to release low flow models.

For additional assistance or service please contact:

SPEAKMAN® Company
400 Anchor Mill Road
New Castle, DE 19720



800-537-2107



customerservice@speakman.com



www.speakman.com